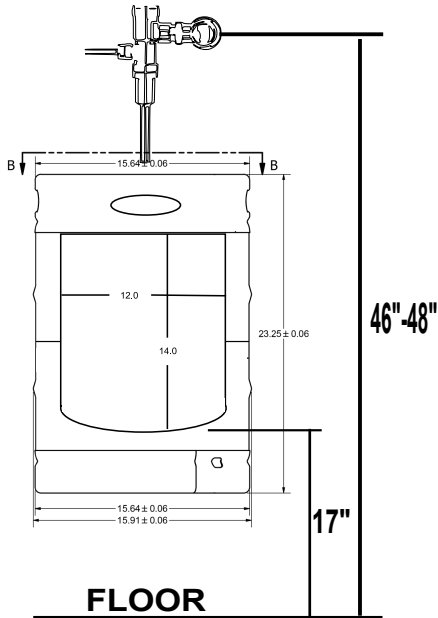
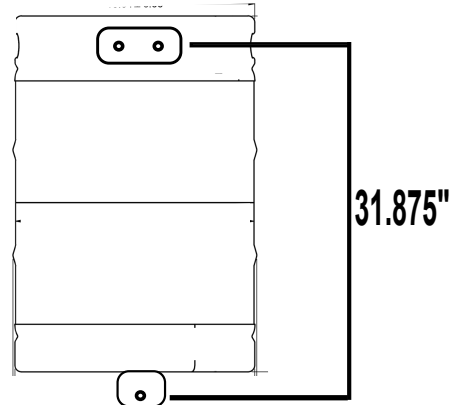


1/2 BBL Stainless Steel Keg Urinal Installation Instructions

FRONT VIEW



BACK VIEW



The urinal comes with mounting brackets. Bolts are not included.

For installation you will need your main water pipe to flush valve and your plumber to install a standard "P-" trap to the drain of the keg.

NOTE: These urinals do not come with any certifications that your state may require. They are made from beer kegs, which are food-grade 304 stainless steel. Kegs may have some exterior cuffs / blemishes. Kegs are shipped to us banded together on a pallet which can cause some markings on their exteriors.

The keg urinal is outfitted with an Everflow 7571 Stainless Steel Flat Top Strainer Drain.

Fits openings 1-7/8" - 2-1/4"
2-7/8" Flange

